

Intermittent direct print module

DPM III i series

Intermittent direct print module

DPM III i series

The direct print modules of the DPM III i series are the revised successors of our long and well established DPM II 107/12. The DPM III i can be integrated in synchronized packaging machines and print texts, graphics and bar codes with a resolution of 300 dpi in thermal transfer direct print method during standstill of printable foil. The CornerType printhead provides a particularly good print quality with very high print speed. The DPM III i is used successfully for example, the medical technology and food industry.

Stand-alone mode

In order not to be dependent on a PC, you can use the DPM III i in stand-alone mode also. Graphics, texts and bar codes can be created quickly and easily with our creation software Labelstar PLUS and by means of the printer's internal memory card manager saved onto the memory card. For stand-alone mode, memory cards with capacities of 512 KB, 1 MB and 2 MB are available.

Control unit

Password protection allows the operating panel of the control unit to be blocked guaranteeing that only trained staff operate the machine. The equipped date/time function allows you to create the correct expiry or packaging date, quickly and easily. Exact information about date, time or shift can be entered. Constantly updated counter readings shown in the display of the control unit constantly provides a current overview of the effective number of items, which run through your machine.

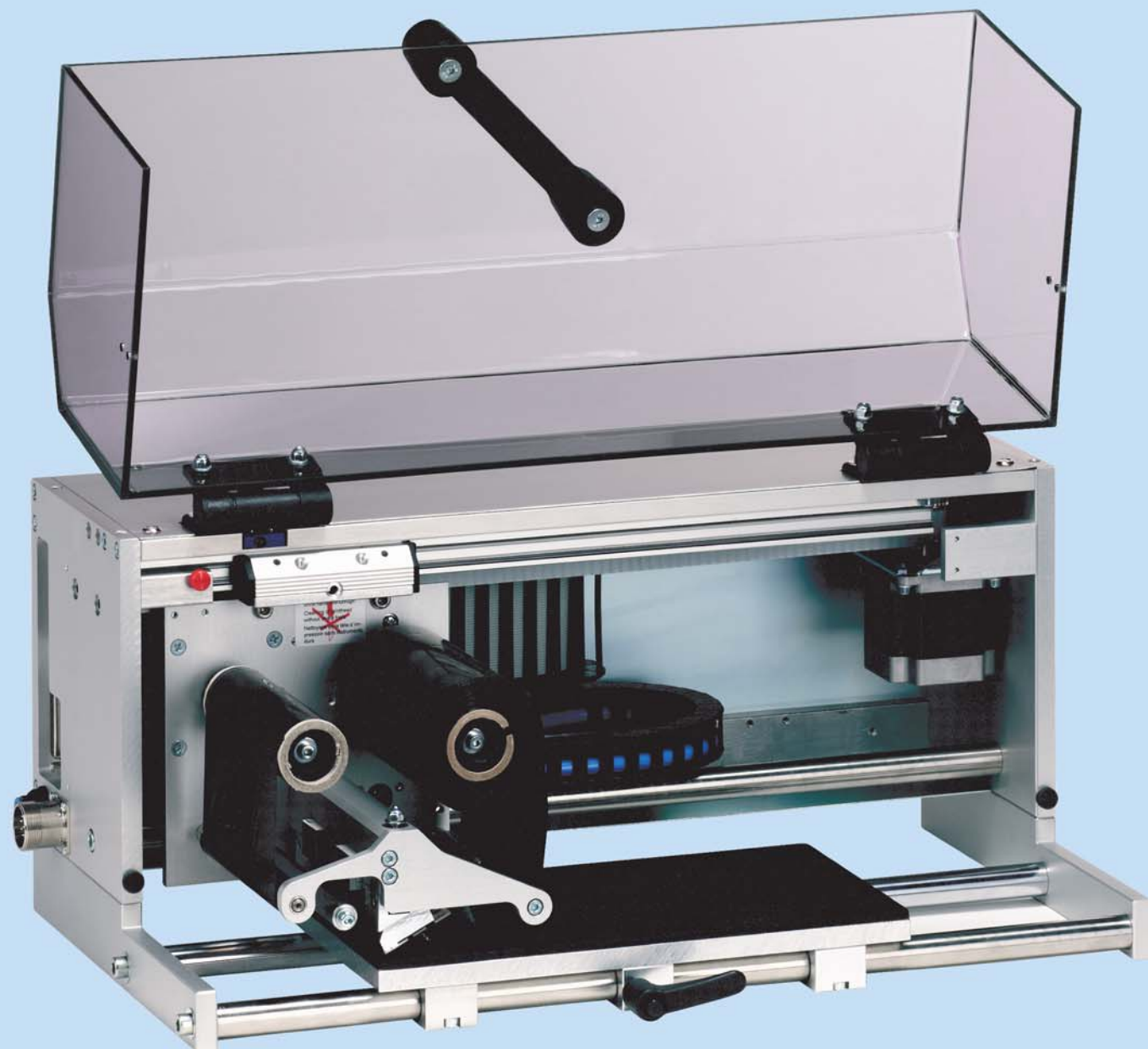


Interfaces

The DPM III i series is equipped as standard with a serial RS-232, a parallel Centronics and a USB 1.1 interface. Industrial interfaces like RS-422, RS-485 as well as a 10/100 T-Base interface for Ethernet connection are available as options.

Intelligent Transfer Ribbon Savings

The DPM III i is equipped as standard with the transfer ribbon savings function that reduces print costs to a minimum. The transfer ribbon advance warning informs you before the transfer ribbon is used up.



Different print widths and print lengths

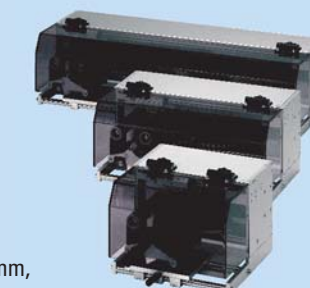
The DPM III i is available in three different print widths and seven different print lengths.

Print widths

53 mm, 107mm and 128 mm

Print lengths

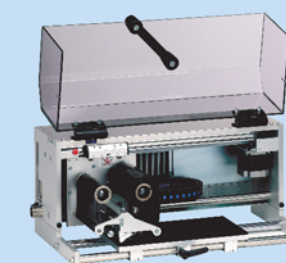
60 mm, 140 mm, 240 mm, 340 mm, 447 mm, 570 mm and 630 mm (other print lengths on demand).



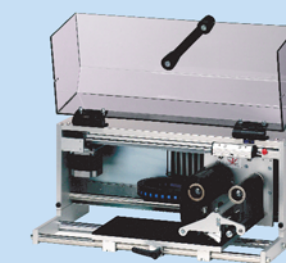
Flexibility in installation

The print module is available in a left and right version and can be installed horizontally as well as vertically. It can be completely adapted to your needs.

For installations in inclination of a higher grade than 30°, it is possible to integrate a brake preventing the print carriage returning too quickly.



right version



left version

Configuration by Internet / LAN

With the internal Ethernet 10/100 Base-T interface, parameters and printer status can be set and indicated conveniently by a web browser. In this way the system administrator is always informed about the latest status of all printing systems that are in use.

Labelstar PLUS

In connection with our label creation software, Labelstar PLUS, we offer a complete system that harmonizes. The 32-bit software leaves you in no doubt of its ease of operation and meets the highest demands.



Technical Data

DPM III i 53/12, DPM III i 107/12, DPM III i 128/12

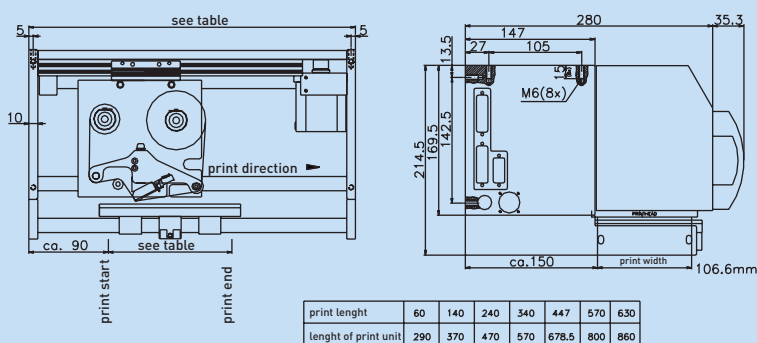
| Print | DPM III i 53/12 | DPM III i 107/12 | DPM III i 128/12 |
|-------------------------------|-----------------------------------------------------------------------------------------------------------------------------------------------------------------------------------------------------------------------|--------------------------------|------------------|
| print width | 53,3 mm | 106,6 mm | 128 mm |
| print lengths | 60 mm, 140 mm, 240 mm, 340 mm, 447 mm, 570 mm, 630 mm | 340 mm, 447 mm, 570 mm, 630 mm | 630 mm |
| resolution | 300 dpi | 300 dpi | 300 dpi |
| print speed | bis zu 350 mm/s | bis zu 350 mm/s | bis zu 250 mm/s |
| return speed | bis zu 400 mm/s | bis zu 400 mm/s | bis zu 400 mm/s |
| printhead | CornerType | CornerType | CornerType |
| Printer build-in fonts | | | |
| vector fonts | Helvetica Bold und Roman, Swiss light, Baskerville, Brush Script, Monospace | | |
| pixel fonts | 6 | | |
| proportional fonts | 6 | | |
| Bar codes | | | |
| 1D bar codes | EAN 8, EAN 13, EAN 128, EAN ADD ON, UPC-A, UPC-E, Code 39, Code 39 ext., Code 93, Code 128A, Code 128B, Code 2/5 interleaved, ITF 14, ITF 16, CODABAR, Pharmacode, PZN Code, Identcode/Leitcode der Deutschen Post AG | | |
| 2D bar codes | PDF417, MAXICODE, DataMatrix, CODABLOCK A | | |
| composite bar codes | RSS, RSS-14 Truncated, RSS-14 Stacked, RSS-14 Stacked omnidirectional, RSS Limited, RSS Expanded Stacked | | |
| Interfaces | | | |
| serial | RS 232 C, 2400...19200 Baud RS-422*, RS-485 * | | |
| parallel | Centronics | | |
| USB | 1.1 | | |
| Ethernet / LAN | internal 10/100 Base-T * | | |
| Transfer ribbon | | | |
| core diameter | 25,4 mm / 1" | | |
| max. length | 600 m (Ø 85 mm) | | |
| Connecting values | | | |
| voltage supply | 230 V / 50 Hz | | |
| optional | 115 V / 60 Hz | | |
| power consumption | max. 380 VA | | |
| pneumatic | min. 6 bar dry and oil free | | |
| Operating conditions | | | |
| temperature | 5 -45°C | | |
| relative humidity | max. 80% | | |

* optional

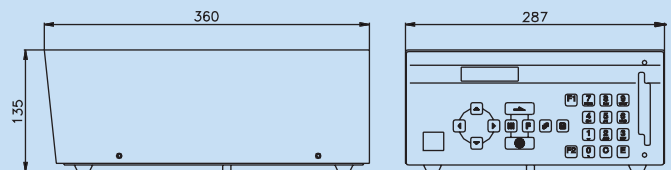
Characteristics

- Left and right version
Excellent sharp print by 300 dpi
Corner Type technology
- Cost saving by transfer ribbon savings
- Flexible labelling like date of expiry, bar codes, complex graphics or linked data from external data sources.
- Date and time
- CD containing Windows printer driver and manuals
- Available in 7 different print lengths
- Movable counter pressure plate
- 2-slot PCMCIA drive
- PCMCIA cards 512 KB, 1 MB, 2 MB
- IBM keyboard connection
- Network-compatible
- Small setting-up time

print unit



control unit dimensions



valentin
ETIKETTENDRUCKSYSTEME

Martek Industries Ltd
12b Ridings Park Industrial Estate
Eastern Way
Cannock
Staffs - WS11 7FJ

Tel: 01543 502202
Fax: 01543 467726
Email: sales@martekonline.co.uk
www.martekonline.co.uk



Gefertigt nach / manufactured according to
EN 60950, EN 50082, EN 55022

Printed in Germany 1/05

Änderungen vorbehalten
Modification subject to change